

TRUCKS AND BUSES



BORN SMART. MADE RELIABLE.

Eicher 6016 Chassis

The 16 Tonne GVW Chassis



EUTECH 6

EUTECH 6

Eicher is creating a new benchmark in the Indian commercial vehicle industry, through a revolutionary BSVI solution that combines global technology with innovative support services. This solution not only makes your vehicle BSVI compliant but also ensures higher productivity of the bus and profitability of your business.



Euro VI Expertise for 6 years

VECV has been manufacturing and supplying base engines to the Volvo Group since 2013. Over 1,00,000 Euro VI base engines supplied, operating in 41 countries. First to roll out BS VI CV range in India, incorporating expertise of Euro VI technology.



Efficient EATS and engine technology

Best fluid economy: Lower fuel consumption + DEF consumption combined. Reliable EATS + engine technology tested for over 56,00,000 km. Duty cycle based SCR for high reliability & low maintenance.

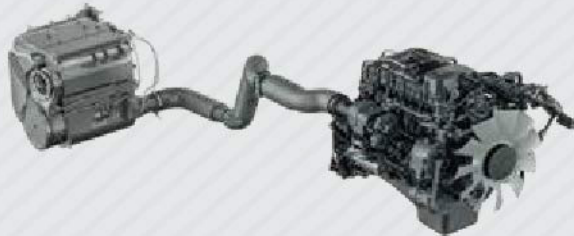


Enhanced UPTIME

Eicher Uptime Centre for 24x7 support by specialists. GPS enabled service vans just a phone call away. Remote diagnostics for quick repair of BS VI vehicles.

Next-Gen Engine

Introducing 5.1 L proven and reliable VEDX5 engine based on Volvo Group's global platform complying to BSVI norms. The engine is capable of delivering maximum power of 210 hp and a flat torque of 825 Nm over a wide range of rpm. This next generation engine with superior technology delivers unmatched performance and delivers the best-in-class fuel efficiency.



FUEL EFFICIENT VEDX5 ENGINE: 4 CYLINDER, 4 VALVE, 5.1 LITRE ENGINE

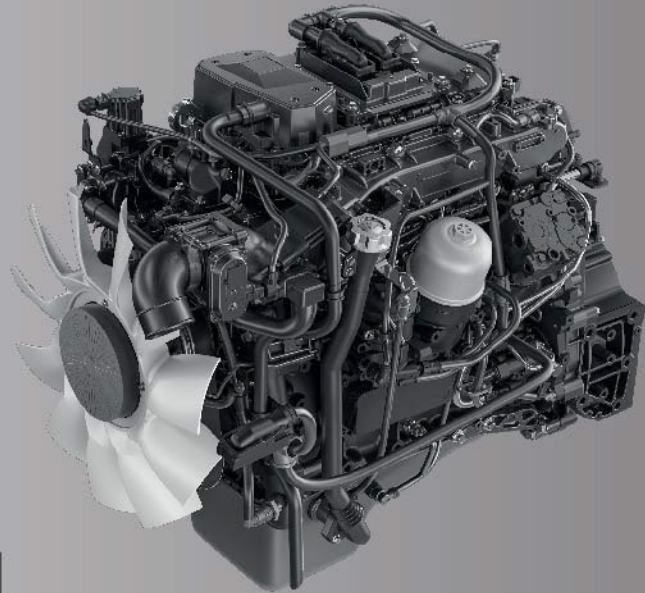


Eicher 6016 range, is the hallmark of performance, reliability and fuel efficiency. The new Eicher 6000 range is equipped with VEDX5 engine and EMS (Engine Management System) based on Volvo Group's global platform, high pressure Denso FIE system and reinforced Domex® chassis to make it the most reliable product in its class. Features like Cruise Control, Fuel Coaching, Mbooster+ and intelligent Engine Protection System (EPS) make the Eicher 6016 Chassis a preferred choice for Intercity, Route Permit and Staff applications.



High Performance Engine.

The VEDX5 engine delivers high power of 210hp @ 2200 rpm and flat torque of 825 Nm over a wide range of 1200-1600 rpm while remaining true to the promise of being the most fuel efficient engine in its class. High performance is guaranteed as global Volvo EMS is the brain of the engine and is further equipped with EPS and Denso FIE.



Iconic VEDX5 Engine



IDIS 2.0 Instrument Cluster

Next-Gen Features.

Eicher 6016 range leads the pack in terms of advanced technology. The Intelligent Driver Information system provides all the vital vehicle information on an easy to view digital display. Features like Mbooster+, Fuel Coaching and Cruise Control ensure operational efficiency.

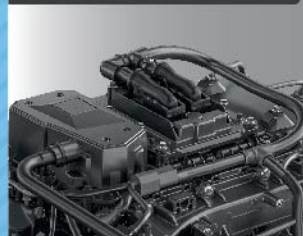
Volvo Group Global EMS



Denso FIE System



Engine Protection System



Mbooster+



Fuel Coaching

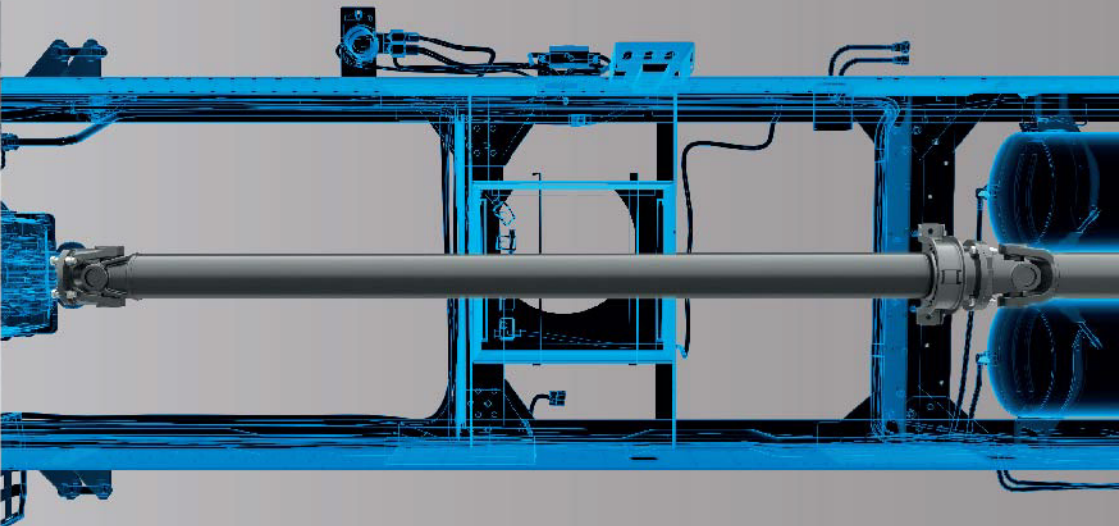


Cruise Control

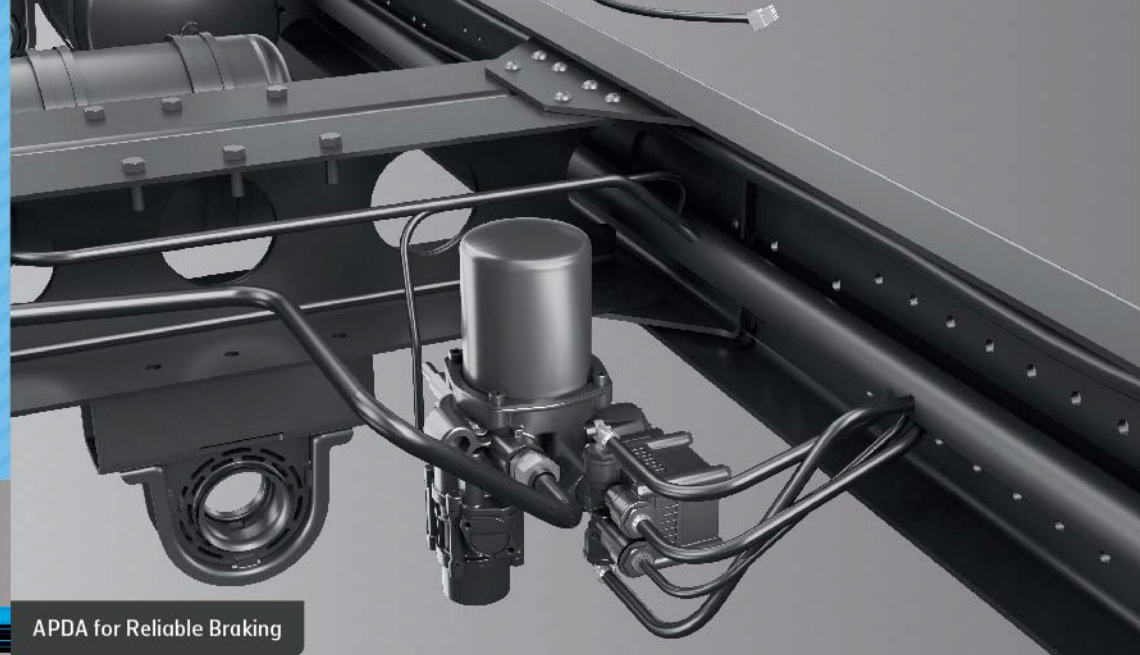


Improved Chassis Design.

The new Eicher 6016 chassis is designed to ensure improved structural strength and better body building aesthetics. Eicher believes in ensuring continuous improvements in design and technology to give best-in-class products for all its stakeholders.



LFL Propeller Shaft



APDA for Reliable Braking

Reliable and Strong.

Eicher 6016 range comes with the highly reliable Domex® chassis, corrosion free HPDE fuel tank and high capacity alternator for consistent performance. Strong and proven aggregates ensure optimum reliability over the lifetime of the vehicle.

Flat Cowl



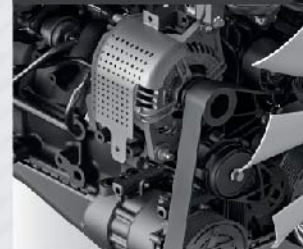
Improved Structural Stiffness



Sandwich Type Engine Hood



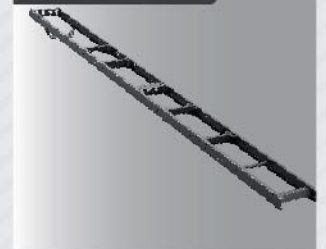
High Capacity Alternator

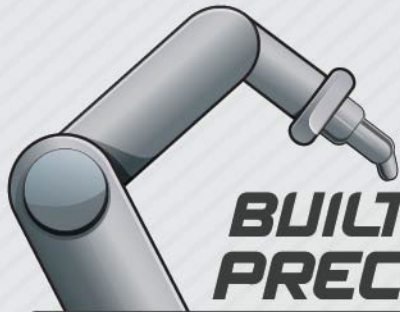


425 L HDPE Fuel Tank



Domex® Chassis





BUILT WITH PRECISION

BUILT IN EICHER'S MODERN BUS PLANT

We manufacture buses with high level of precision by using advanced technology like panel fitments, inverter based welding, shower testing, robotic painting and pneumatic grippers in our modern bus plant to deliver superior build quality.

Structure using Jigs & Fixtures



Robotic Painting



Cabin Drop



Glass Fixture



Ultra-Modern Facility



Shower Testing



Lifetime Support Solutions.



With our Lifetime Support Solutions, we ensure a seamless and hassle-free experience from the time you consider buying an Eicher vehicle to the time you think of selling it. Our continuously improving and holistic services will ensure higher uptime and productivity for your BSVI vehicles.

*Pro-Pilot, Eicher Sure and Eicher Container set-up is not available for Eicher Bus range



Eicher has taken a step towards achieving Superior Uptime with a responsive attitude, that will set us apart and create a differentiated experience for our customers. With our new Uptime Center and Uptime Certified Workshops, we are now geared up with a proactive support system for diagnostic assistance with advanced diagnostic tools.



At Uptime Certified Workshops only
*T&C Apply

Model Name	6016 H LP	6016 M LP	6016 M LPO	6016 N LPO	6016 R LPO
Wheelbase (mm)	4200	5340		5840	6200
Overall length (mm)	8082	9902	10660	11460	11765
Overall width (mm)	2540				2540
Overall height (mm)	2728				2783
Ground clearance (mm)	245		240		240
Front overhang (mm)	1362		2205		2205
Rear overhang (mm)	2520	3200	3115	3415	3360
Turning circle diameter (m)	18.9	20.9		22.7	23.7
Engine make	VEDX5			VEDX5	
Displacement (cc)	5132			5132	
Power	210 hp (155kW) @2200 rpm			210 hp (155kW) @2200 rpm	
Torque	825 Nm @ 1200-1600 rpm			825 Nm @ 1200-1600 rpm	
Clutch (mm)	395			395	
Transmission make	ET70S6			ET70S6	
Transmission type	Synchromesh 6-Speed + 1 Rev			Synchromesh 6-Speed + 1 Rev	
GVW (Tonnes)	16.2			16.2	
Chassis type	Domex 650 straight frame			Domex 650 straight frame	
Chassis dimension (mm)	230x76x6			285x76x6	
Fuel tank capacity (l)	250		425	425	
Brakes	Dual circuit "S" cam full air brakes			Dual circuit "S" cam full air brakes	
Tyres	10R20-16PR	10R20-16PR 295/80R 22.5-16PR		295/80R 22.5-16PR	
Suspension	Weveller	Front - Weveller Rear - Weveller/Air		Front - Weveller Rear - Air	
Steering	Power steering			Power steering	
Battery	2x12V, 150Ah			2x12V, 150Ah	
Alternator	90A			90A	
Ad Blue tank capacity (l)	33			33	



*All figures are in mm



Model name : 6016 M LPO
Seating capacity : 57+D HHR 3x2



Model name : 6016 N LPO
Seating capacity : 62+D HHR 3x2



VE COMMERCIAL VEHICLES
A VOLVO GROUP AND EICHER MOTORS JOINT VENTURE
eichertrucksandbuses.com, Eicher Care: 1800 102 3531

VE COMMERCIAL VEHICLES LTD.
Registered Address – 3rd Floor Select Citywalk,
A -3 District Centre, Saket, New Delhi 110 107, India.
CIN – U74900DL2008PLC175032

CORPORATE ADDRESS
Eicher Trucks & Buses
#96, Sector – 32, Gurgaon
122001, Haryana, India.

Caution: *Do not weld or drill on chassis frame. *Accessories and features shown in pictures or elsewhere may not constitute standard fitment. *Weight mentioned is for standard configuration with standard body sizes and will change due to optional fitments. *As a result of continuous research and innovation carried out, specifications are merely indicative and are subject to change without notice.